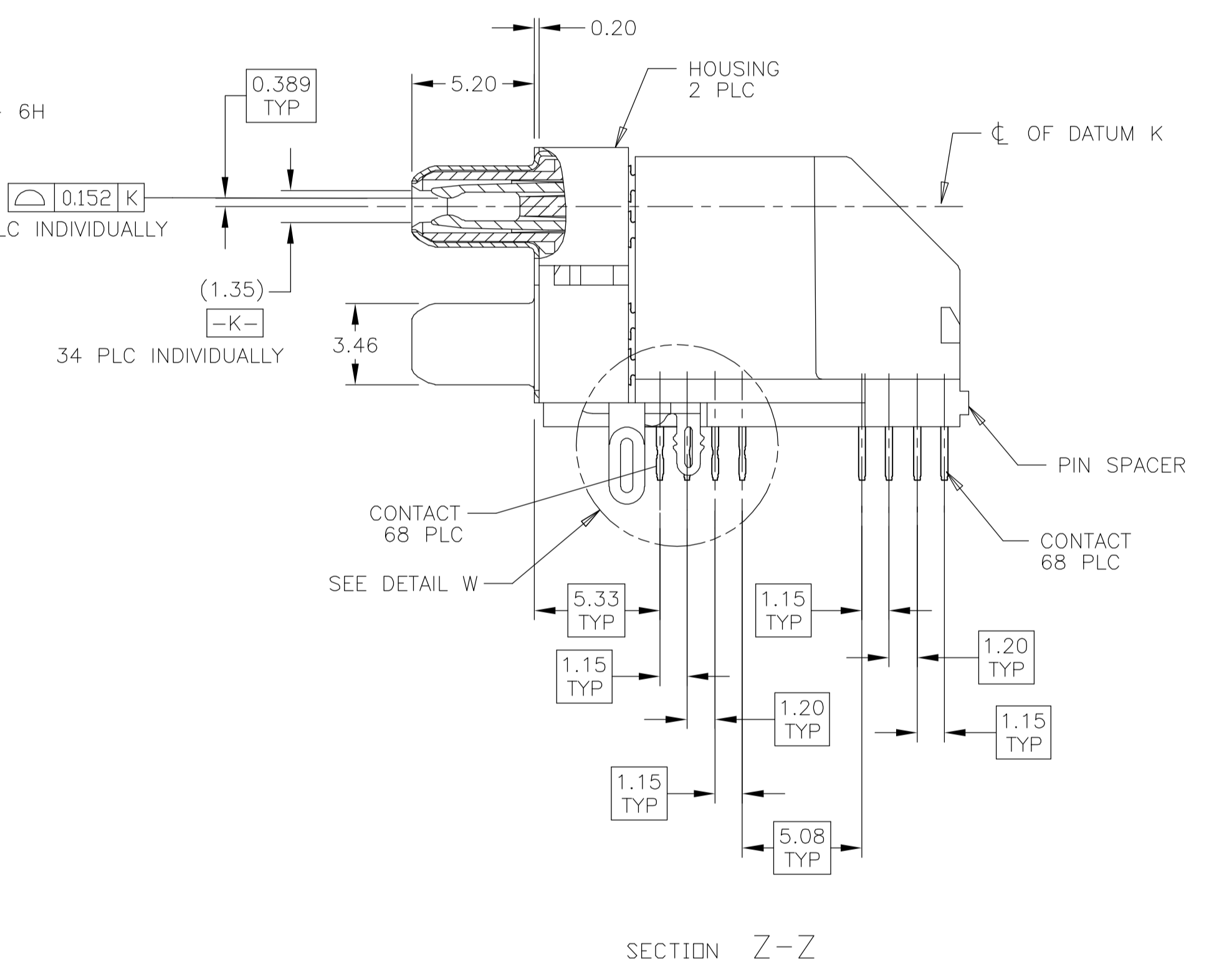
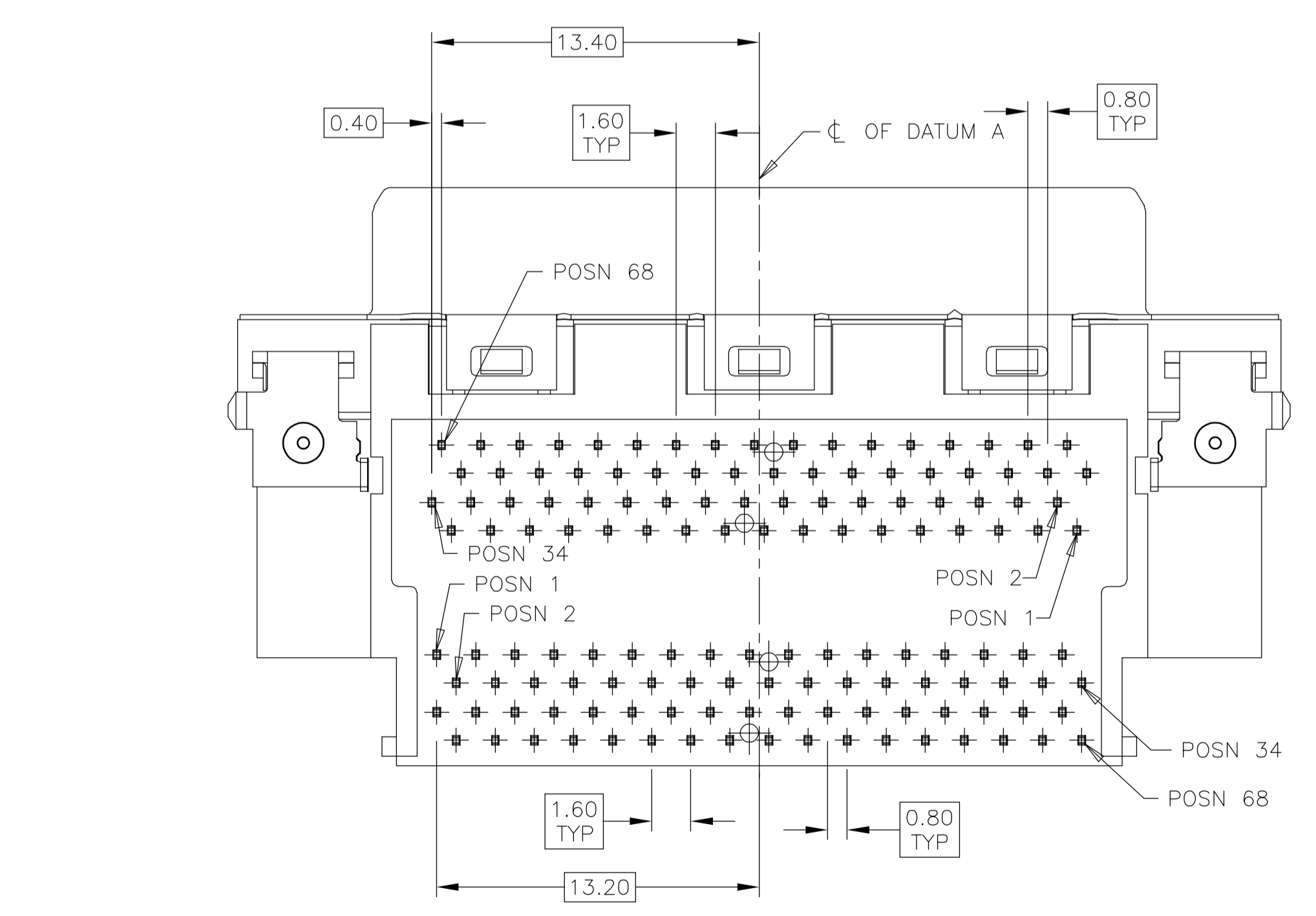
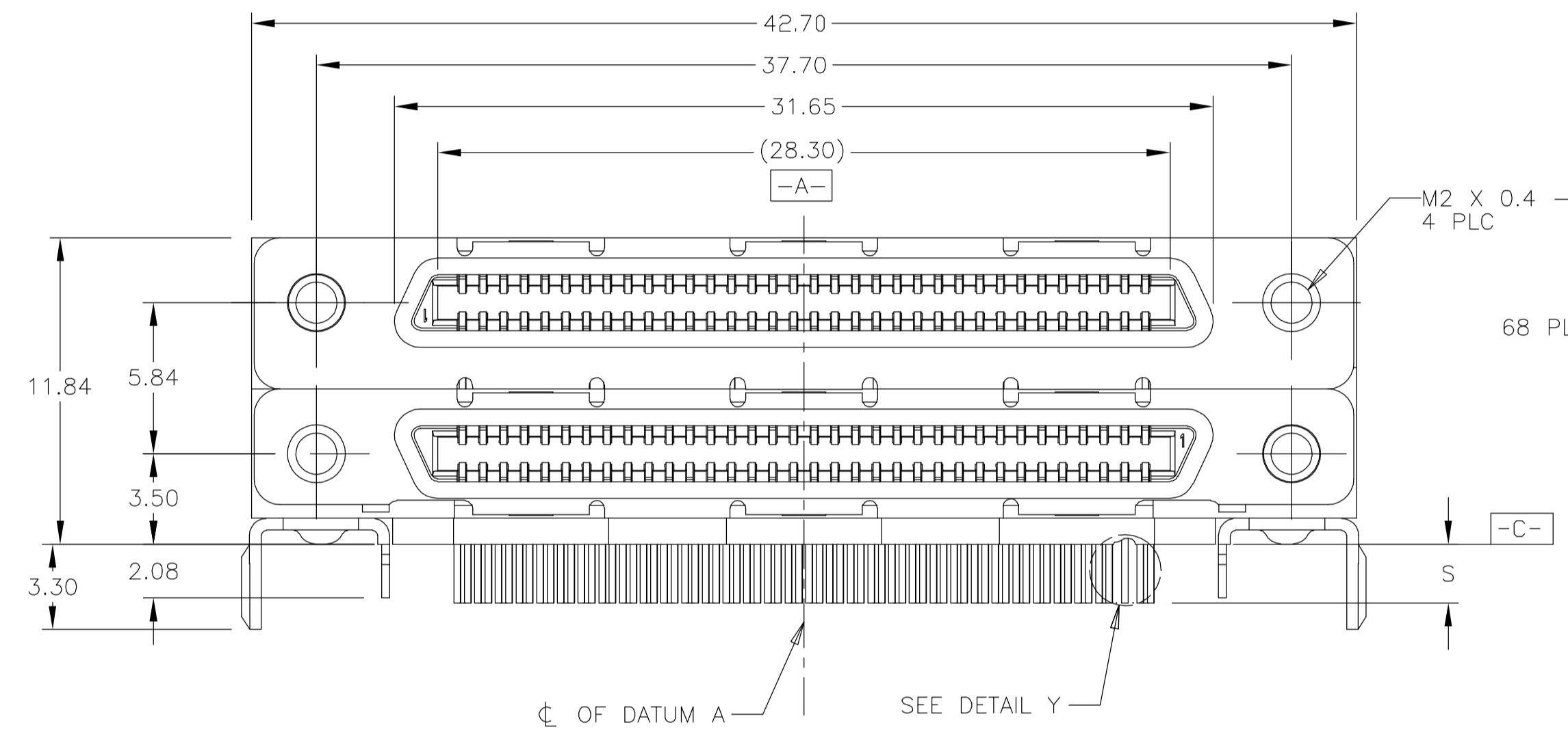
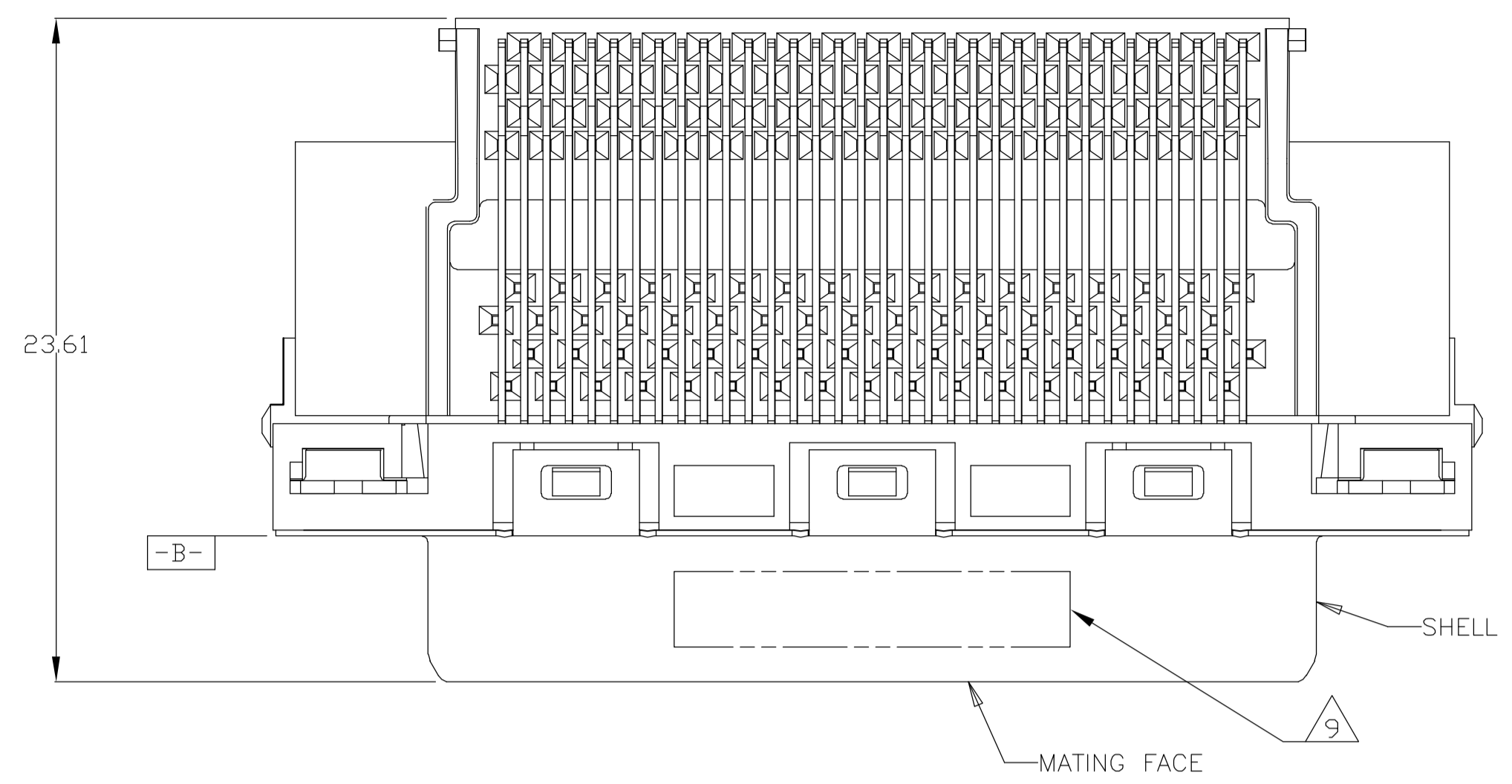
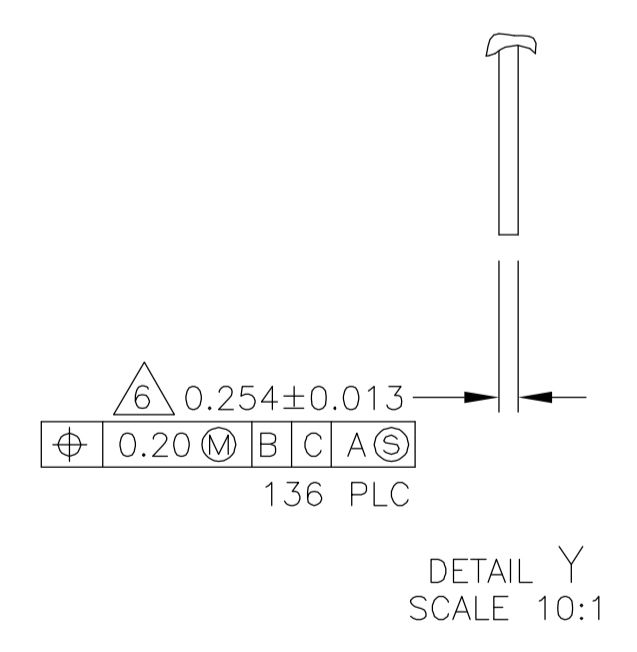
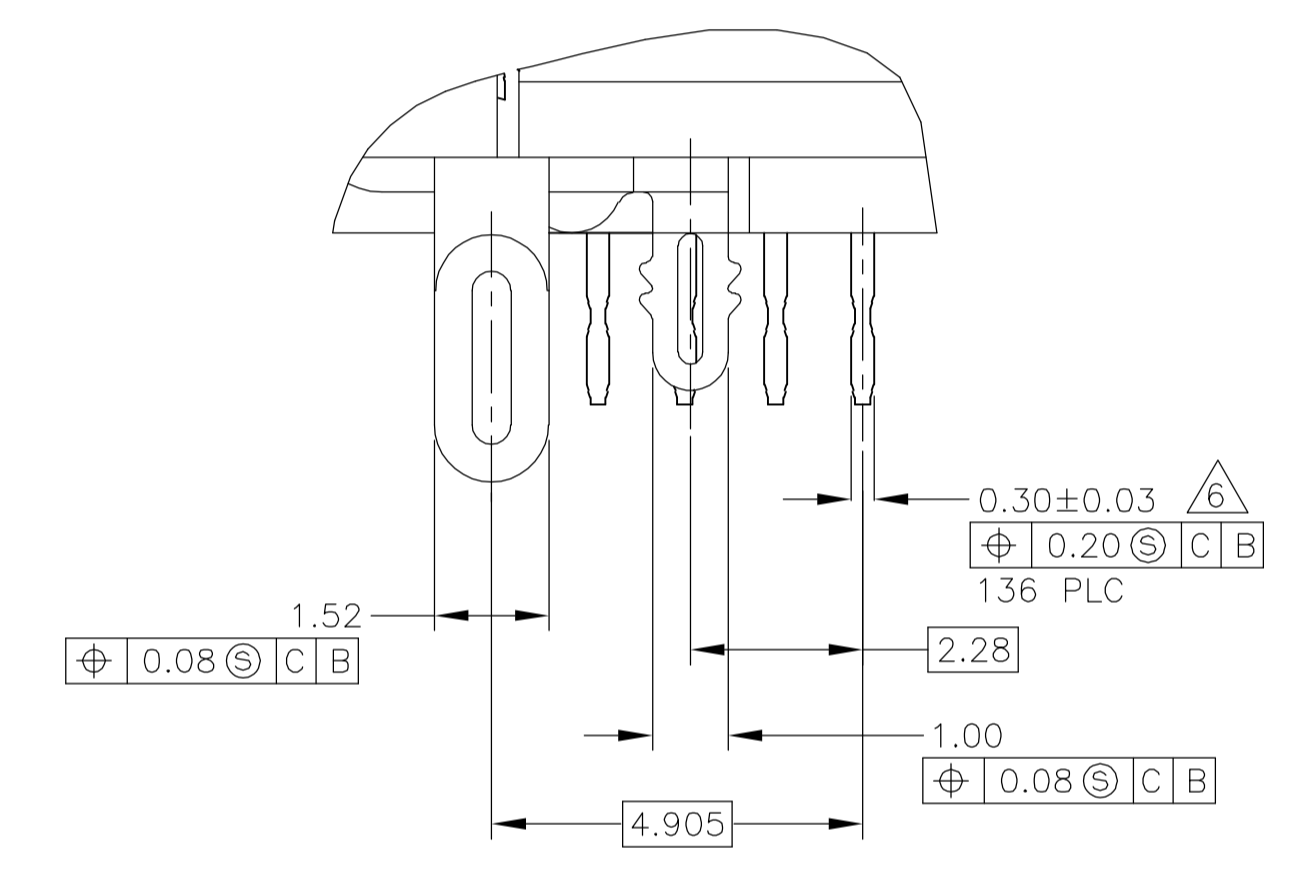


LOC		DIST		REVISIONS			
GP	00	REV	DATE	BY	APP'D	DATE	BY
B		REVISED PER ECO-07-0042221	30MAR07	JDP	EDB		



- ⚠ MOLDED PARTS: THERMOPLASTIC, BLACK, UL 94V-0 RATED.  
SHELL: CARBON STEEL.  
CONTACTS: PHOSPHOR BRONZE.  
BRACKETS: STEEL.
- ⚠ SHELL: 5.08µm MIN NICKEL OVER 2.54µm MIN COPPER.  
CONTACTS: 0.76µm MIN GOLD ON MATING END, 3.75µm MIN TIN ON SOLDER TAILS, BOTH OVER 1.27µm MIN NICKEL OVER ENTIRE CONTACT.  
BRACKETS: TIN PLATED.
- 3. CONTACTS DESIGNED FOR USE ON 1.60±0.15 THICK PC BOARD WITH PLATED THRU MOUNTING HOLES.
- 4. RECEPTACLE ASSEMBLY DESIGNED FOR USE WITH 1.12±0.08 THICK PANEL.
- ⚠ DATUMS AND DIMENSIONS ESTABLISHED BY CUSTOMER.
- ⚠ POSITION TOLERANCE APPLIES AT CONTACT TIP ONLY.
- ⚠ OFFSET DIMENSION APPLIES TO LOWER FOOTPRINT ONLY.
- ⚠ CONTACTS DESIGNED FOR USE ON 2.35±0.15 THICK PC BOARD WITH PLATED THRU MOUNTING HOLES.
- ⚠ DATE CODE MARKED IN APPROXIMATE AREA SHOWN.



REMARKS	3.55	5787962-2
	2.27	5787962-1
	S	PART NUMBER

THIS DRAWING IS A CONTROLLED DOCUMENT.		DIN J.GERACE 24JAN05	Tyco Electronics Corporation Harrisburg, Pa 17105-3608
DIMENSIONS: mm		CIK S.SHUEY 24JAN05	
TOLERANCES UNLESS OTHERWISE SPECIFIED:		AP/D M.WALMSLEY 24JAN05	NAME RECEPTACLE ASSEMBLY, RIGHT ANGLE, 68 POS, STACKED, CHAMP 0.8mm
0 PLC ± - 1 PLC ± - 2 PLC ± 0.13 3 PLC ± 0.13 4 PLC ± - ANGLES ± 1°		PRODUCT SPEC 108-1471-1 APPLICATION SPEC 114-6057	
MATERIAL		WEIGHT	SIZE A1
FINISH		CUSTOMER DRAWING	SCALE 5:1 SHEET 1 OF 2 REV B

